

8

7

6

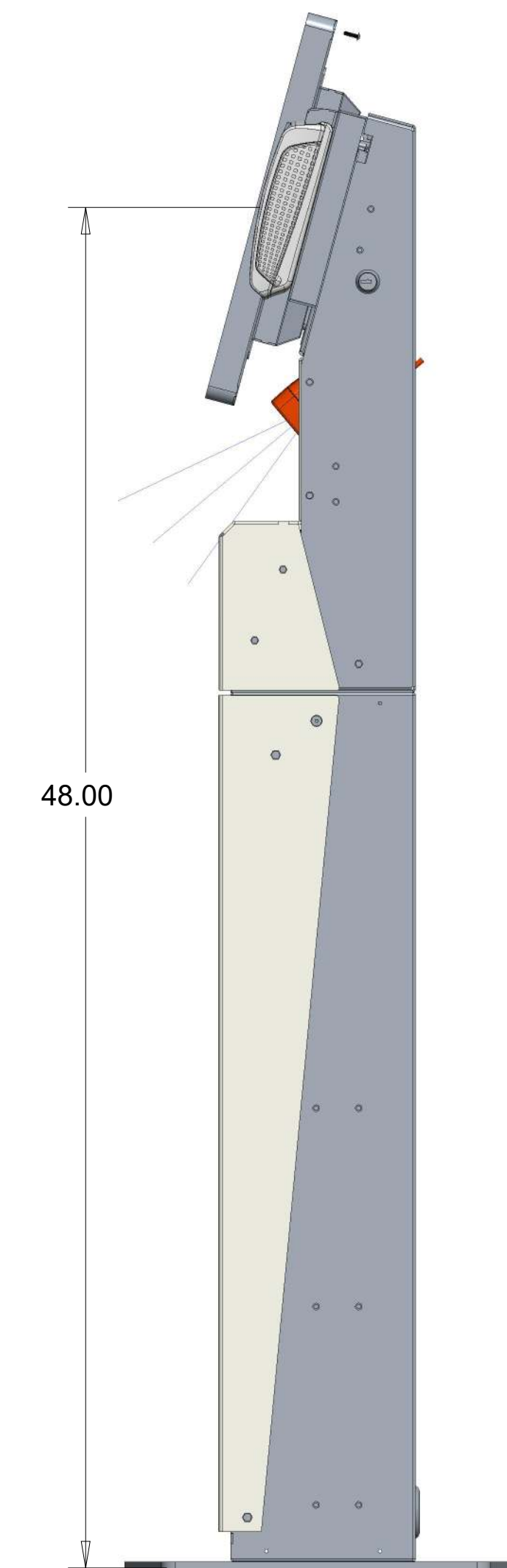
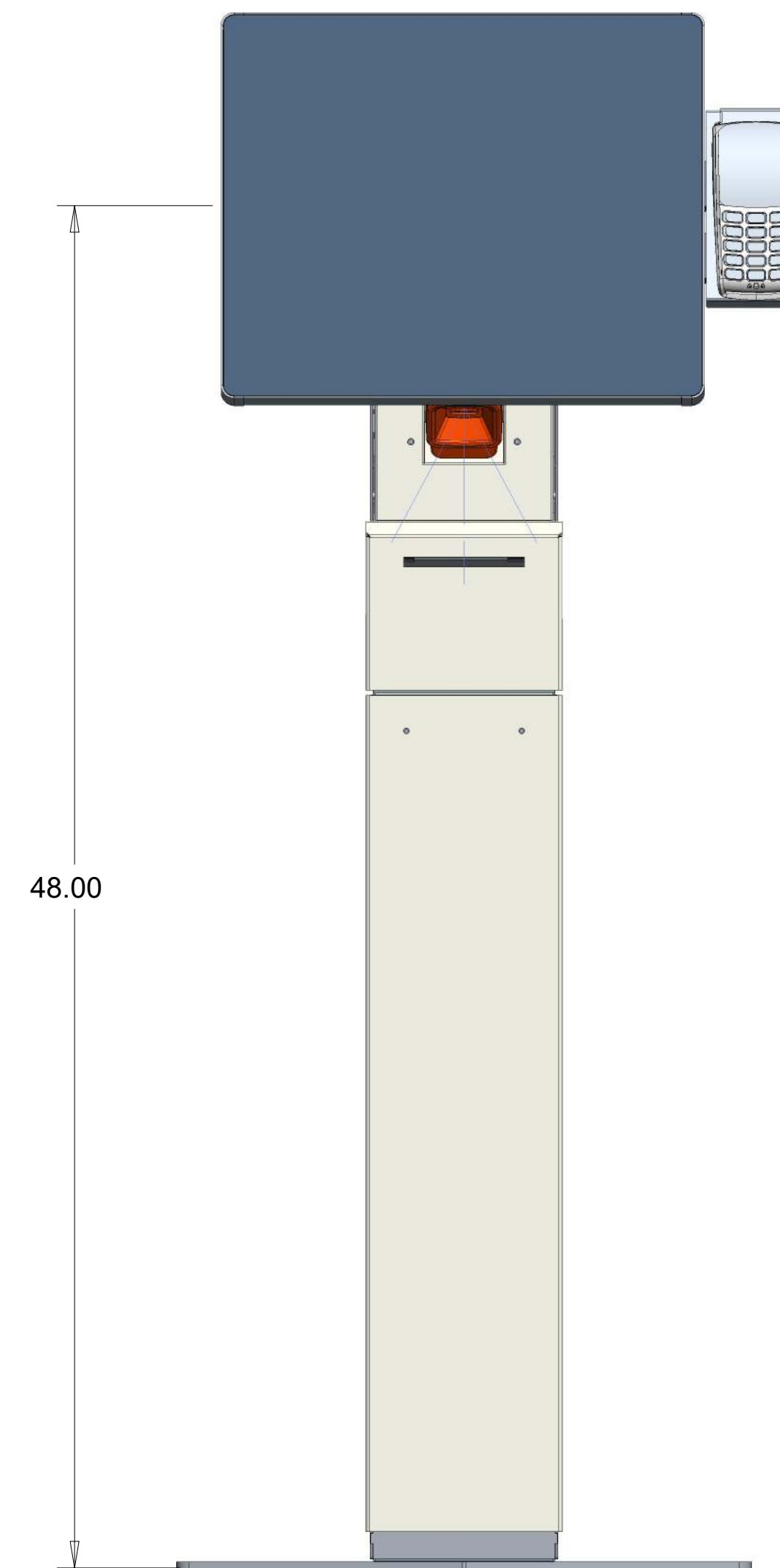
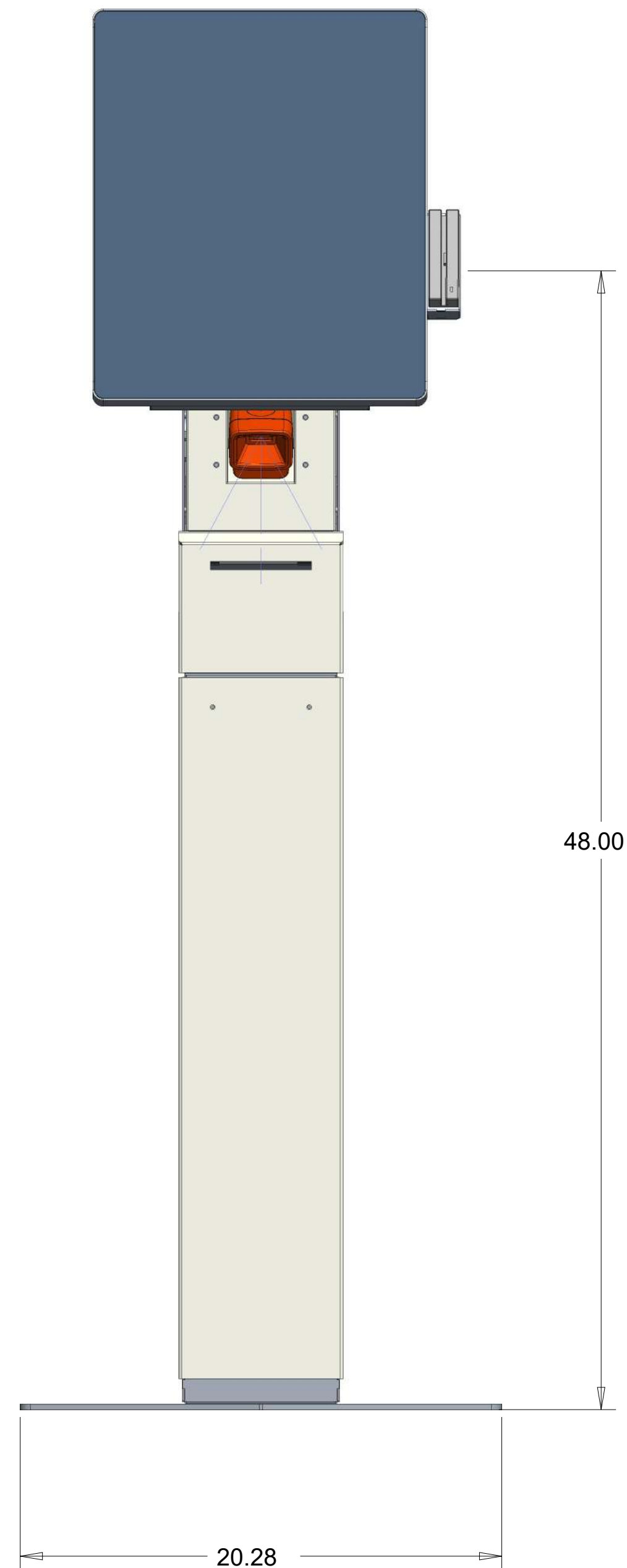
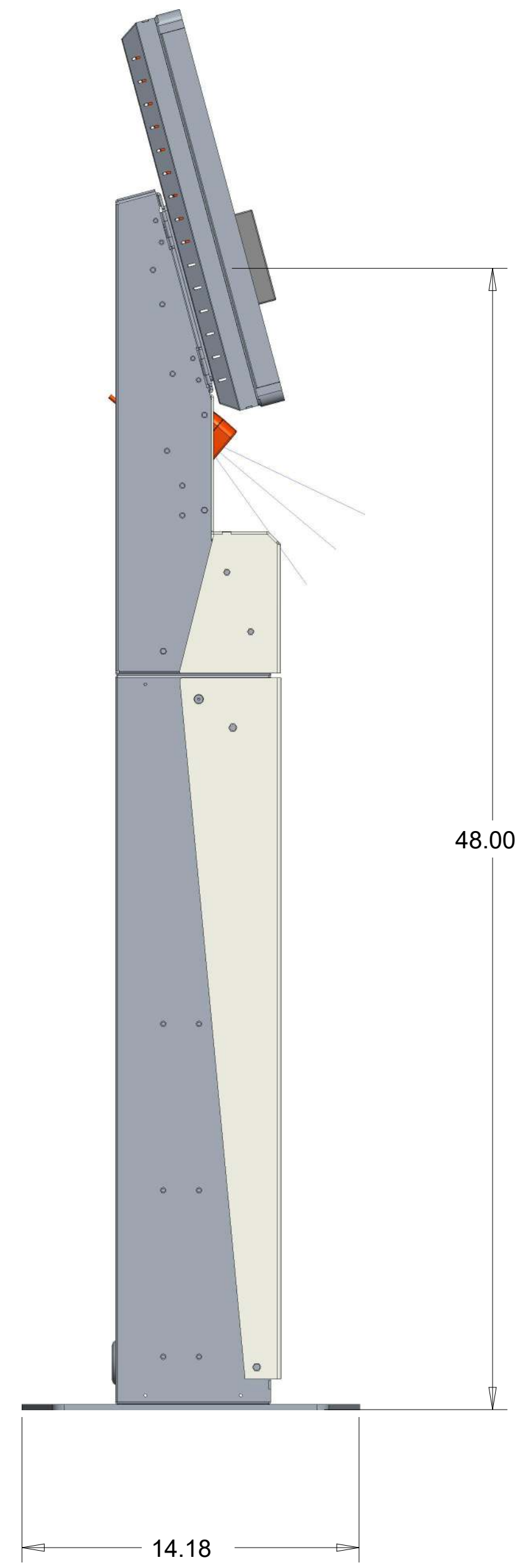
5

4

3

19" LCD - PORTRAIT

19" LANDSCAPE



THIS DRAWING AND ITS ASSOCIATED ELECTRONIC FILES ARE THE PROPERTY OF KIOSK INFORMATION SYSTEMS, INC. ALL DIMENSIONS ARE IN INCHES UNLESS OTHERWISE SPECIFIED.



346 S ARTHUR AVE. LOUISVILLE, CO 80027

PART DESCRIPTION-

ADA - 19"

8

7

6

5

4

3

2

1

D

C

B

A

C

B

A

8

7

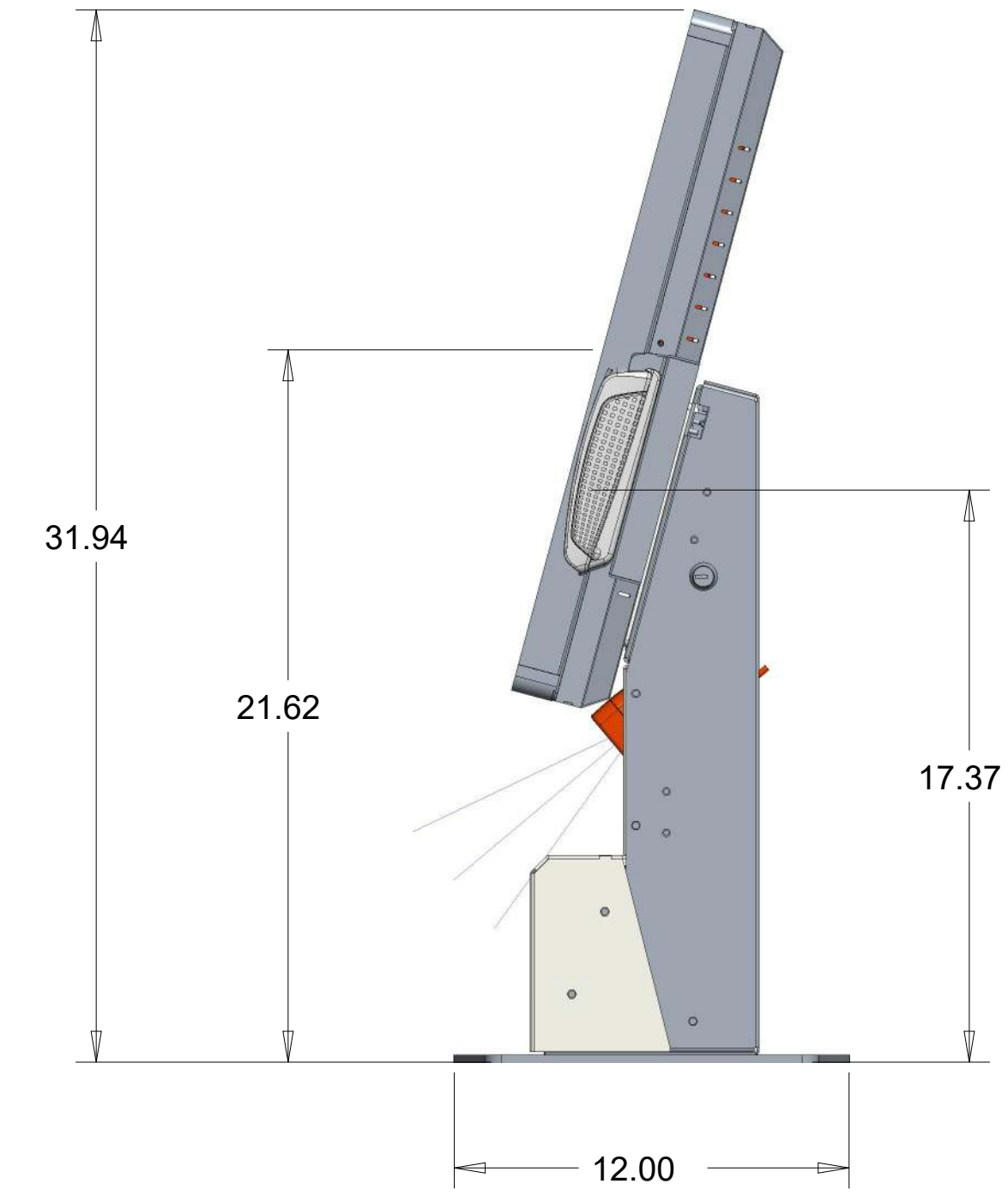
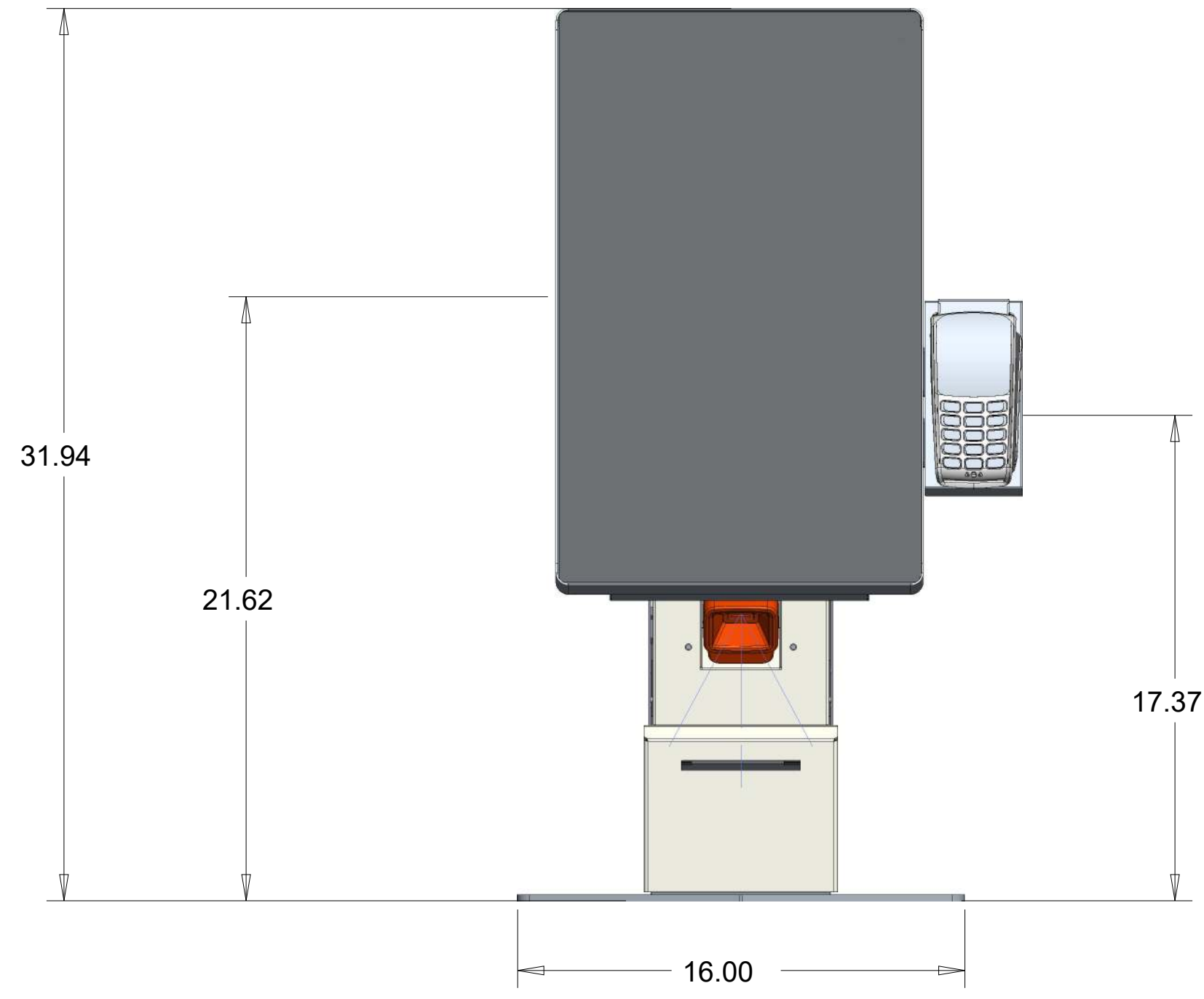
6

5

4

3

21.5" COUNTERTOP



THIS DRAWING AND ITS ASSOCIATED ELECTRONIC FILES ARE THE PROPERTY OF KIOSK INFORMATION SYSTEMS, INC. ALL DIMENSIONS ARE IN INCHES UNLESS OTHERWISE SPECIFIED.



346 S ARTHUR AVE. LOUISVILLE, CO 80027

PART DESCRIPTION-
ADA - COUNTERTOP

8

7

6

5

4

3

2

1

8

7

6

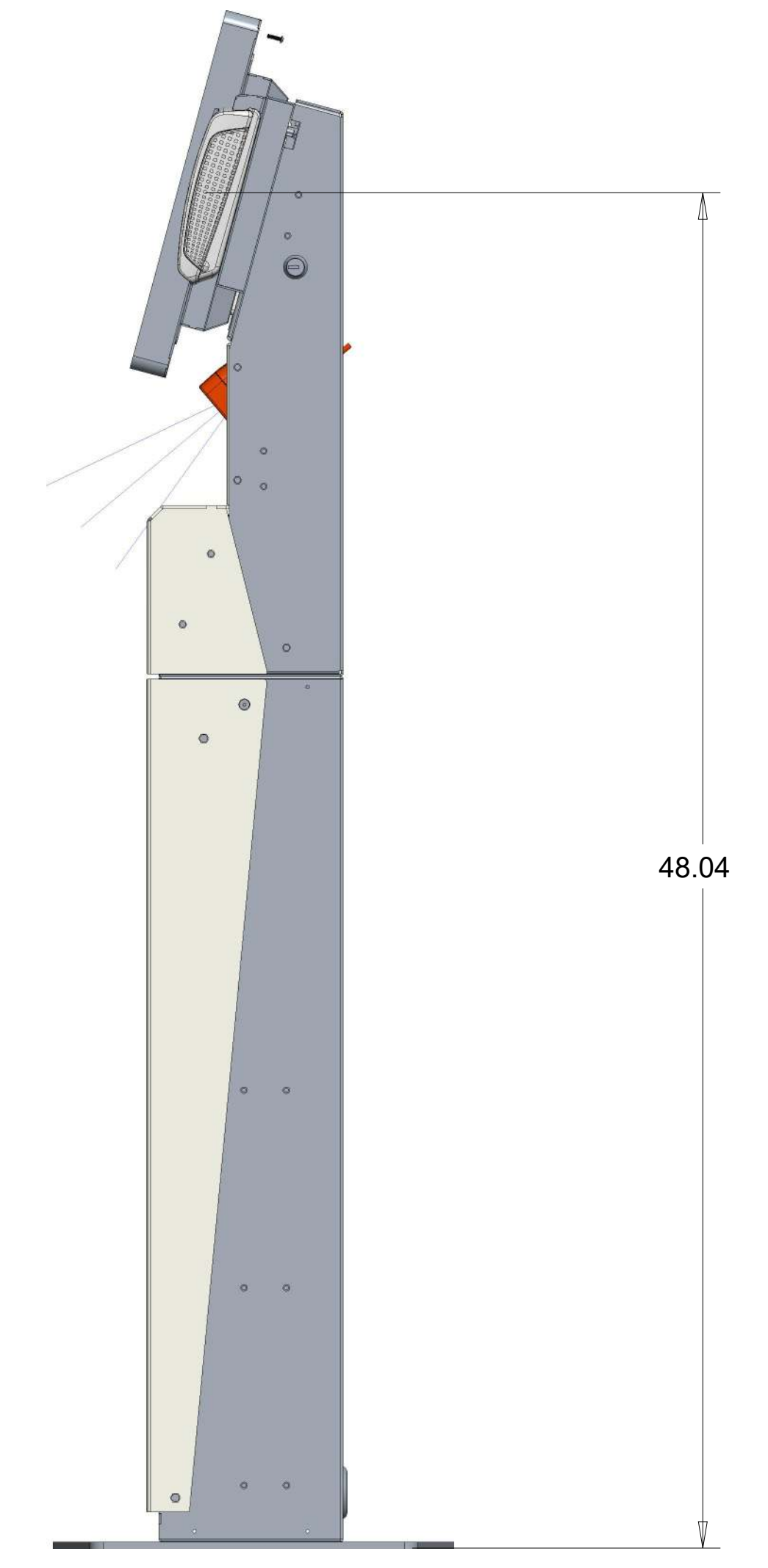
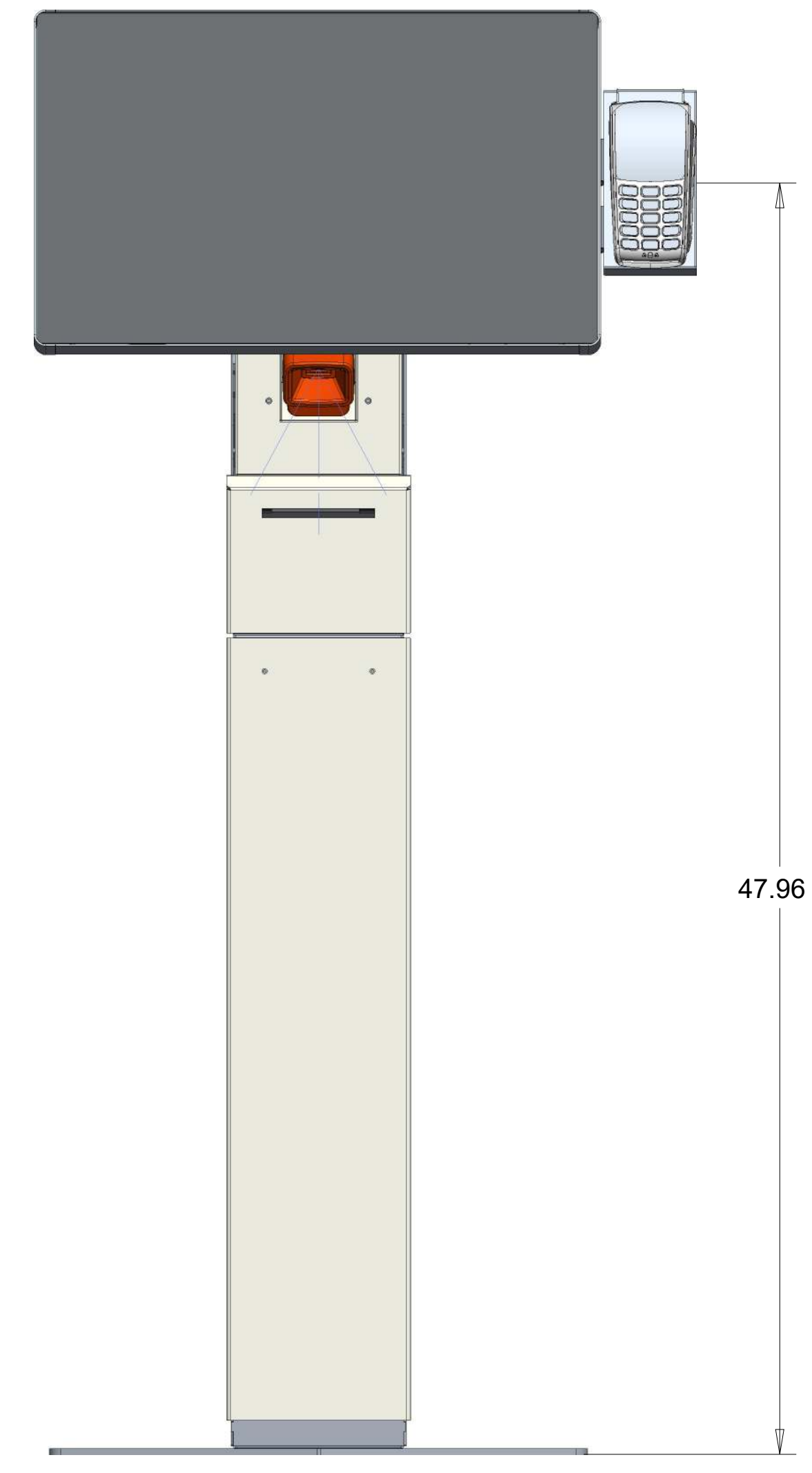
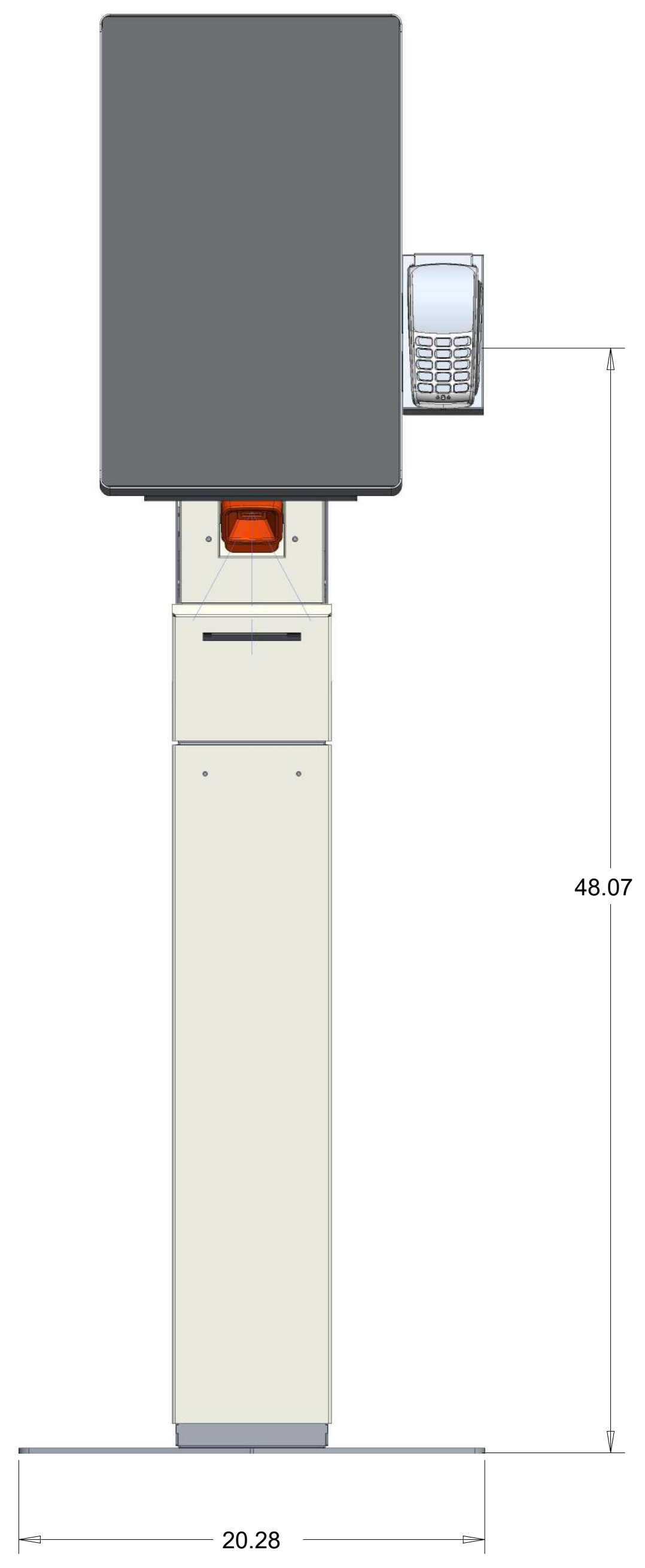
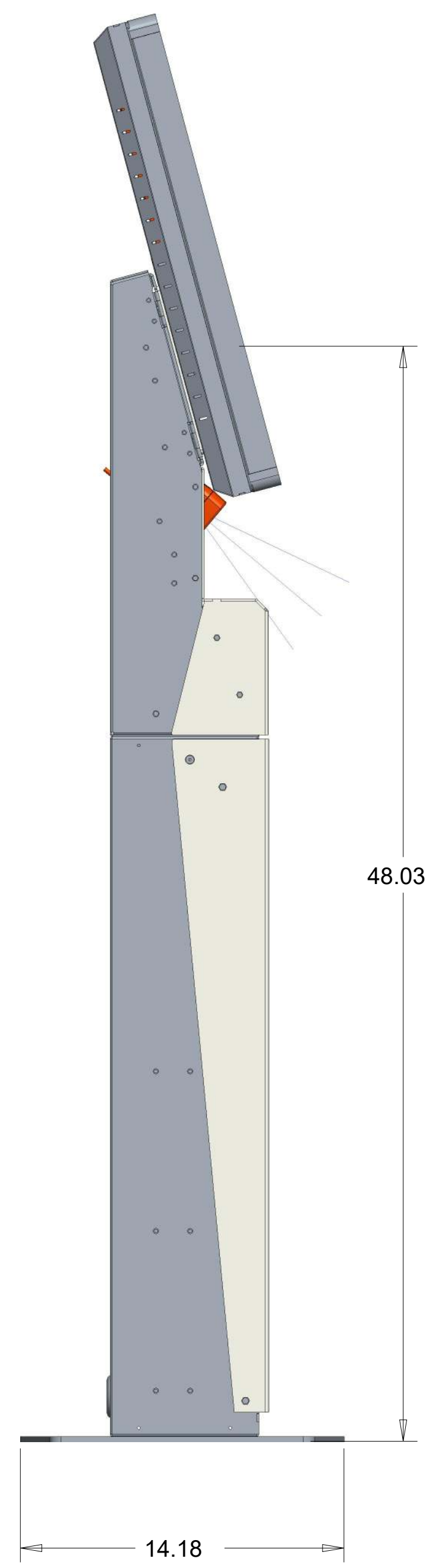
5

4

3

21.5" PORTRAIT

21.5" LANDSCAPE



THIS DRAWING AND ITS ASSOCIATED ELECTRONIC FILES ARE THE PROPERTY OF KIOSK INFORMATION SYSTEMS, INC. ALL DIMENSIONS ARE IN INCHES UNLESS OTHERWISE SPECIFIED.

KIOSK
Information Systems

PART DESCRIPTION-
ADA - 21.5"

346 S ARTHUR AVE.
LOUISVILLE, CO 80027

8

7

6

5

4

3

2

1